



Technical Information

- Inlet connection - 15mm
- Operating temperature range - 0 - 85°
- Operating pressure range - 50 - 500kPa
- Note: Refer to AS/NZS 3500.4 for recommended set temperatures and pressures

To Specify

The AS/NZS 3718 WaterMark Approved CliniLever® Sink Sets, complies to AS6400-2005, WELS rated to 4 Star (7LPM) and is supplied standard with a swivel gooseneck outlet and laminar flow nozzle and lever handles finished in bright chrome plate.

Code:

TCSSC80C - Chrome Plated CliniLever® Sink Set, 80mm Lever Handles, Ceramic Disc [4 Star WELS Rating]

TCSSJ80C - Chrome Plated CliniLever® Sink Set, 80mm Lever Handles, Jumper Valve [4 Star WELS Rating]

TCSSC150C - Chrome Plated CliniLever® Sink Set, 150mm Lever Handles, Ceramic Disc [4 Star WELS Rating]

TCSSJ150C - Chrome Plated CliniLever® Sink Set, 150mm Lever Handles, Jumper Valve [4 Star WELS Rating]



A family
owned
Australian
business

Construction

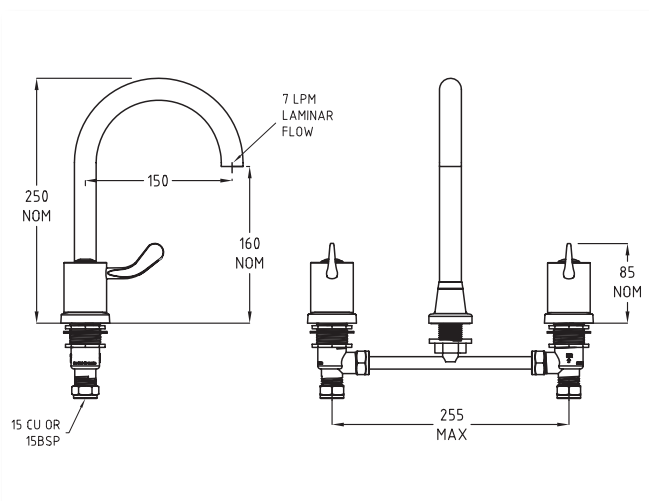
The main body is made of solid DR brass, with brass gooseneck outlet. Quick action SBA's includes brass jumper valve component or ceramic disc operation, with a red and blue indicator button on 80mm or 150mm lever action handles.

Performance Standards & Approvals

- AS/NZS 3718 – WaterMark
- WELS 4 Star 7 Litres Per Minute



Typical Dimensions



Illustrated is a TCSSJ80C

Features

- Laminar flow nozzle supplied standard to reduce the spread of legionella.
- Contra rotating handles to ensure ease of use.
- Smooth round design to facilitate easy cleaning and to help reduce dirt and bacterial growth.

Maintenance

Galvin Engineering Chrome Plated Tapware should be cleaned with a soft damp cloth using only mild liquid detergent or soap and water. Do not use cleaning agents containing a corrosive acid, scouring agent or solvents. Do not use cream cleaners, as they are abrasive.

Epoxy coated surfaces should only be cleaned with a cloth and clear water or mild detergent. Use of unsuitable cleaning agents may damage the surface. Any damage caused in this way will not be covered by warranty.

If regreasing spindles, always use a silicon based potable water approved lubricant.

Galvin Engineering tapware must be installed in accordance with the provisions of AS/NZS 3500. Installations not complying with AS/NZS 3500 may void the product and performance warranty provisions

Warranty

Galvin Engineering's CliniLever® Tapware products, unless specified otherwise have a 5 year warranty: excludes damage to ceramic disc cartridges from pieces of copper tube, plastic tube, sand, dirt or thread tape etc. Water conditions must comply with national standards and all ceramic or valves will be subject to annual maintenance procedures. Please refer to our Manufacturers Warranty at www.galvinspecialised.com.au for full detail.

Whilst all reasonable care has been taken in compiling the information in this document, the designs, dimensions and products shown are indicative only and should not be relied upon without our prior approval. Due to our policy of continuous development, we reserve the right to alter any details of specifications or products without notice. All information, drawings, technical specifications and product designs remains the property of Galvin Engineering Pty Ltd.

410 Victoria Rd, Malaga, WA 6090
 Within Australia: **1300 514 074** Outside Australia: P: +61 (0)8 9249 5900
 F: +61 (0)8 9249 5916
sales@galvinspecialised.com.au
www.galvinspecialised.com.au

ABN: 78 008 719 382

PERTH | SYDNEY | MELBOURNE | BRISBANE | ADELAIDE

A business unit of

GalvinEngineering 
 the mark of reliability